

ULTRA LOW QUIESCENT CURRENT 250mA LOW-DROPOUT VOLTAGE REGULATORS

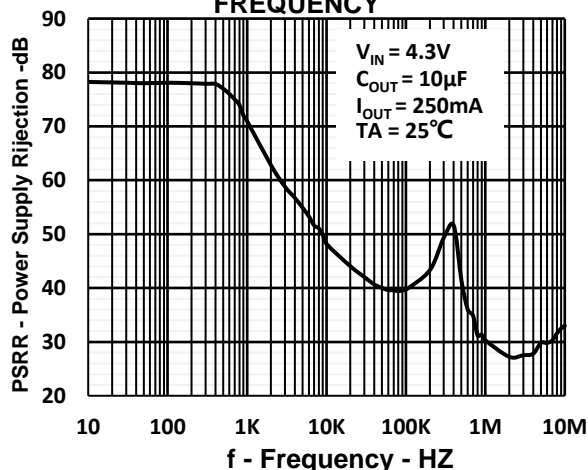
FEATURES

- 250-mA Low-Dropout Voltage Regulator
- Available in 1.5V, 1.8V, 2.5V, 2.7V, 2.8V, 3.0V, 3.3V, 5.0V Fixed Output and Adjustable Versions
- Dropout Voltage of 230mV (Typ) at 250mA (TS6112-33)
- Ultra-Low 36µA Typical Quiescent Current
- 3% Tolerance Over Specified Conditions
- Open Drain Power Good Output
- Compatible with Low ESR Capacitor
- Thermal Shutdown Protection
- 8-Pin SOIC Package

APPLICATIONS

- Battery-Powered Applications
- Power Converter/Inverter
- Portable Devices

POWER SUPPLY RIPPLE REJECTION VS FREQUENCY



PRODUCT DESCRIPTION

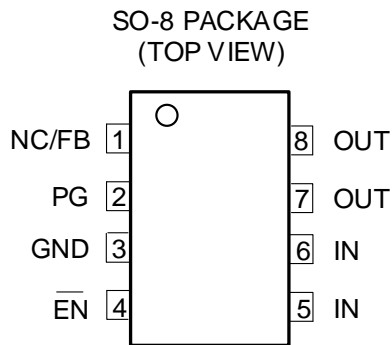
The TS6112-xx series regulators are designed to have ultra-low quiescent currents and be stable with very low ESR output capacitors with a wide range of capacitance (0.47µF or greater). The combination of the above characteristics allows for a small ceramic capacitor to be used at the output with high dynamic performance at low cost.

The TS6112-xx series is designed with very low dropout voltages (e.g. typically 230mV for the TS6112-33 at an output current of 250mA). The quiescent current is very low at light load (typically 36µA at 10uA load), however, it is designed to be dependent of output loading (approximately 1/250 of the output current at heavy load), in order to provide much improved transient response over competitions. The low quiescent feature yields a significant improvement in operating life for battery-powered systems. This LDO family also features a sleep mode; applying a TTL high signal to \overline{EN} (enable) shuts down the regulator, reducing the quiescent current to less than 1µA (typ).

Power good (PG) is an active high output, which can be used to implement a power-on reset or a low-battery Indicator.

The TS6112-xx is offered in 1.5V, 1.8V, 2.5V, 2.7V, 2.8V, 3.0V, 3.3V and 5.0V fixed-voltage versions and in an adjustable version (programmable over the range of 1.25V to 5.5V). Output voltage tolerance is specified as a maximum of 3% over line, load, and temperature ranges. The TS6112-xx family is available in 8 pin SOIC package.

PIN CONFIGURATION AND FUNCTIONS



TERMINAL		I/O	DESCRIPTION
NAME	NO		
EN	4	I	Enable input
FB/NC	1	I	Feedback input voltage for adjustable device (no connect for fixed option)
GND	3		Regulator ground
IN	5	I	Input voltage
IN	6	I	Input voltage
OUT	7	O	Regulated output voltage
OUT	8	O	Regulated output voltage
PG	2	O	PG output

TYPICAL APPLICATION

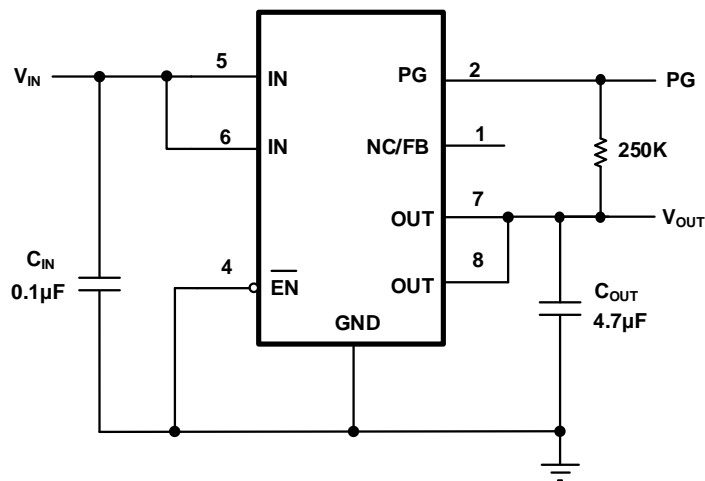


Figure 1. Typical Application Configuration for Fixed Output Options

RECOMMENDED OPERATING CONDITIONS

	MIN	MAX	UNIT
Input voltage, V_{IN} ^[1]	2.7	12	V
Output voltage range, V_{OUT}	1.2	5	V
Output current, I_{OUT} ^[2]	0	250	mA
Operating virtual junction temperature, T_J ^[2]	-40	125	°C

[1] To calculate the minimum input voltage for your maximum output current, use the following equation: $V_{IN(min)} = V_{OUT(max)} + V_{DO}$ (max load), where V_{DO} is the dropout voltage.

[2] Continuous current and operating junction temperature are limited by internal protection circuitry, but it is not recommended that the device operate under conditions beyond those specified in this table for extended periods of time.

ABSOLUTE MAXIMUM RATINGS

Parameter	Min	Max	Unit
Input voltage range	-0.3	14	V
Voltage range at \overline{EN}	-0.3	16.5	V
PG voltage		16.5	V
Peak output current	Internally limited		
Output voltage, V_{OUT} (OUT, FB)		7	V
Junction Temperature	-40	125	°C
Storage Temperature Range	-65	150	°C
ESD HBM		±4000	V
ESD MM		±200	V
ESD CDM		±1000	V

ESD CAUTION



ESD (electrostatic discharge) sensitive device. Charged devices and circuit boards can discharge without detection. Although this product features patented or proprietary protection circuitry, damage may occur on devices subjects to high energy ESD. Therefore, proper ESD precautions should be taken to avoid performance degradation or loss of functionality.

ORDERING INFORMATION

Model	Part Number	Eco Plan	Package	OUTPUT VOLTAGE (V)	Container, Pack Qty
TS6112-50	TS6112-50SO8R	Rohs	SO-8	5.0	Reel, 2500
TS6112-33	TS6112-33SO8R	Rohs	SO-8	3.3	Reel, 2500
TS6112-30	TS6112-30SO8R	Rohs	SO-8	3.0	Reel, 2500
TS6112-28	TS6112-28SO8R	Rohs	SO-8	2.8	Reel, 2500
TS6112-27	TS6112-27SO8R	Rohs	SO-8	2.7	Reel, 2500
TS6112-25	TS6112-25SO8R	Rohs	SO-8	2.5	Reel, 2500
TS6112-18	TS6112-18SO8R	Rohs	SO-8	1.8	Reel, 2500
TS6112-15	TS6112-15SO8R	Rohs	SO-8	1.5	Reel, 2500
TS6112-01	TS6112-01SO8R	Rohs	SO-8	Adjustable (1.25V to 5.5V)	Reel, 2500

The TS6112-01 is programmable using an external resistor divider.

ELECTRICAL CHARACTERISTICS: At $T_J = +25^\circ\text{C}$, $V_{IN} = V_{OUT} (\text{typ.}) + 1\text{V}$, $I_{OUT} = 10\mu\text{A}$, $\overline{EN} = 0\text{V}$, $C_{OUT} = 4.7\mu\text{F}$, unless otherwise noted. **Boldface** limits apply over the specified Junction temperature range, $T_J = -40^\circ\text{C}$ to $+125^\circ\text{C}$.

Symbol	Parameter		Operating Conditions	Min	Typ	Max	Unit
V _{OUT}	Output voltage ^[3] (10μA to 250mA load)	TS6112-01	5.5V ≥ V _{OUT} ≥ 1.25V TJ = -40°C to +125°C	0.97V _{OUT}	V _{OUT}	1.03V _{OUT}	V
		TS6112-15	2.7V ≤ V _{IN} ≤ 12V TJ = -40°C to +125°C	1.455	1.5	1.545	
		TS6112-18	2.8 ≤ V _{IN} ≤ 12V TJ = -40°C to +125°C	1.746	1.8	1.854	
		TS6112-25	3.5 ≤ V _{IN} ≤ 12V TJ = -40°C to +125°C	2.425	2.5	2.575	
		TS6112-27	3.7 ≤ V _{IN} ≤ 12V TJ = -40°C to +125°C	2.619	2.7	2.781	
		TS6112-28	3.8 ≤ V _{IN} ≤ 12V TJ = -40°C to +125°C	2.716	2.8	2.884	
		TS6112-30	4.0 ≤ V _{IN} ≤ 12V TJ = -40°C to +125°C	2.910	3.0	3.090	
		TS6112-33	4.3 ≤ V _{IN} ≤ 12V TJ = -40°C to +125°C	3.201	3.3	3.399	
I _{GND}	Quiescent current ^[3] (GND current)		$\overline{EN} = 0\text{V}$		36		μA
			TJ = -40°C to +125°C			60	
Output voltage line regulation ^{[3][4]} (ΔV _O /V _O)			V _{OUT} + 1V ≤ V _{IN} ≤ 12V,		0.005		%/V
Load regulation			I _{OUT} = 10μA to 250mA TJ = -40°C to +125°C		0.5%		
Output noise voltage			BW = 300Hz to 50kHz, C _{OUT} = 4.7μF		150		μVrms
Output current Limit			V _{OUT} = 0V		0.78		A
Thermal shutdown junction temperature					150		°C
Thermal shutdown hysteresis temperature					20		°C
I _{STB}	Standby current		$\overline{EN} = V_{IN}$, 2.7V ≤ V _{IN} ≤ 12V		1		μA
			TJ = -40°C to +125°C			10	
I _{FB}	FB input current	TS6112-01	FB = 1.5V		2		nA
V _{IH_EN}	High level enable input voltage		TJ = -40°C to +125°C	2			V
V _{IL_EN}	Low level enable input voltage		TJ = -40°C to +125°C			0.8	V
PSRR	Power supply ripple rejection ^[3]		f = 1kHz, I _{OUT} = 10μA, C _{OUT} = 4.7μF		67		dB
PG	Minimum input voltage for valid PG		I _{OUT(PG)} = 300μA		1.25		V
	Trip threshold voltage		V_{OUT} decreasing TJ = -40°C to +125°C	92		98	%/V _{OUT}
	Hysteresis voltage		Measured at V _{OUT}		0.5		%/V _{OUT}
	Output low voltage		V _{IN} = 2.7V, I _{OUT(PG)} = 1mA		0.16		V
	Leakage current		V_(PG) = 5V TJ = -40°C to +125°C			1	μA
I _{EN}	Input current (\overline{EN})		$\overline{EN} = 0\text{V}$	-1	0	1	μA
			$\overline{EN} = V_{IN}$	-1		1	μA

ELECTRICAL CHARACTERISTICS: At $T_J = +25^\circ\text{C}$, $V_{IN} = V_{OUT} (\text{typ.}) + 1\text{ V}$, $I_{OUT} = 10\mu\text{A}$, $\overline{EN} = 0\text{V}$, $C_{OUT} = 4.7\mu\text{F}$, unless otherwise noted. **Boldface** limits apply over the specified Junction temperature range, $T_J = -40^\circ\text{C}$ to $+125^\circ\text{C}$.

Symbol	Parameter	Operating Conditions	Min	Typ	Max	Unit
V_{DO}	Dropout voltage ^[5]	TS6112-28 $I_{OUT} = 250\text{mA}$ $T_J = -40^\circ\text{C}$ to $+125^\circ\text{C}$		310	540	mV
		TS6112-30 $I_{OUT} = 250\text{mA}$ $T_J = -40^\circ\text{C}$ to $+125^\circ\text{C}$		270	470	
		TS6112-33 $I_{OUT} = 250\text{mA}$ $T_J = -40^\circ\text{C}$ to $+125^\circ\text{C}$		230	400	
		TS6112-50 $I_{OUT} = 250\text{mA}$ $T_J = -40^\circ\text{C}$ to $+125^\circ\text{C}$		140	250	

[3] Minimum IN operating voltage is 2.7 V or $V_{OUT} (\text{typ.}) + 1\text{V}$, whichever is greater. Maximum IN voltage is 12V.

[4] If $V_{OUT} < 1.7\text{V}$ then $V_{IN_min} = 2.7\text{ V}$, $V_{IN_max} = 12\text{ V}$:

$$\Delta V_{OUT} (\text{mV}) = \text{Line Reg. } (\%/V) \times \frac{V_{OUT} \times (V_{IN_max} - 2.7\text{V})}{100} \times 1000$$

If $V_{OUT} \geq 1.7\text{V}$ then $V_{IN_min} = V_{OUT} + 1\text{V}$, $V_{IN_max} = 12\text{ V}$:

$$\Delta V_{OUT} (\text{mV}) = \text{Line Reg. } (\%/V) \times \frac{V_{OUT} \times (V_{IN_max} - (V_{OUT} + 1\text{V}))}{100} \times 1000$$

[5] IN voltage equals $V_{OUT} (\text{typ.}) - 100\text{mV}$ (e.g., TS6112-33 input voltage needs to drop to 3.2V for purpose of this test); For TS6112-01, set the nominal output voltage to 3.3V with an external resistor divider. For TS6112-15, TS6112-18, TS6112-25, and TS6112-27, dropout voltages are limited by input voltage range limitations.

TABLE OF GRAPHS

		FIGURE
Output voltage	vs Load current	2
	vs Free-air temperature	3
Ground current	vs Load current	4
	vs Free-air temperature	7
Dropout voltage	vs Free-air temperature	5
Power supply ripple rejection	vs Frequency	6
Line transient response		8
Load transient response		9
Output voltage	vs Time	10
Output spectral noise density	vs Frequency	11

TYPICAL CHARACTERISTICS

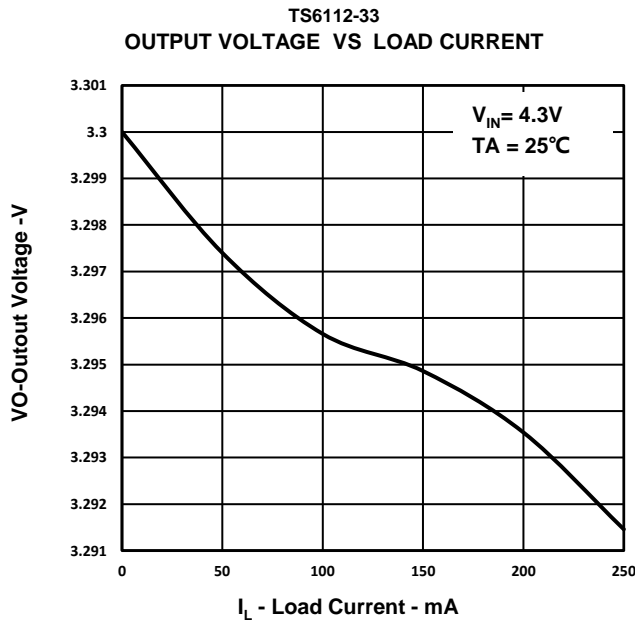


Figure2

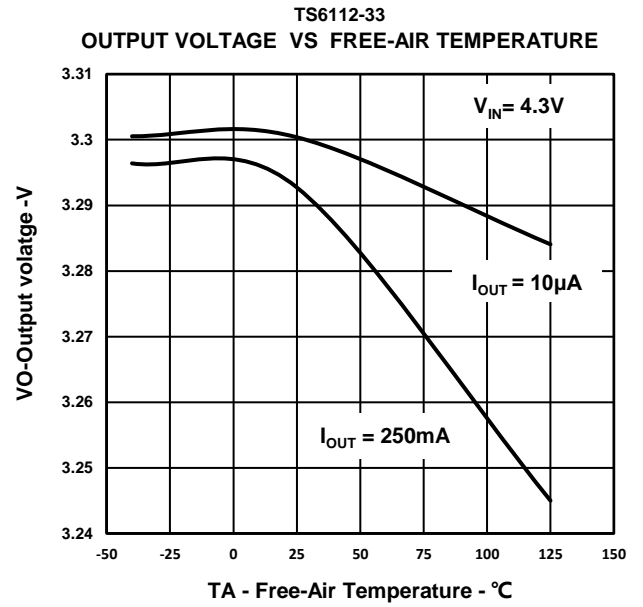


Figure 3

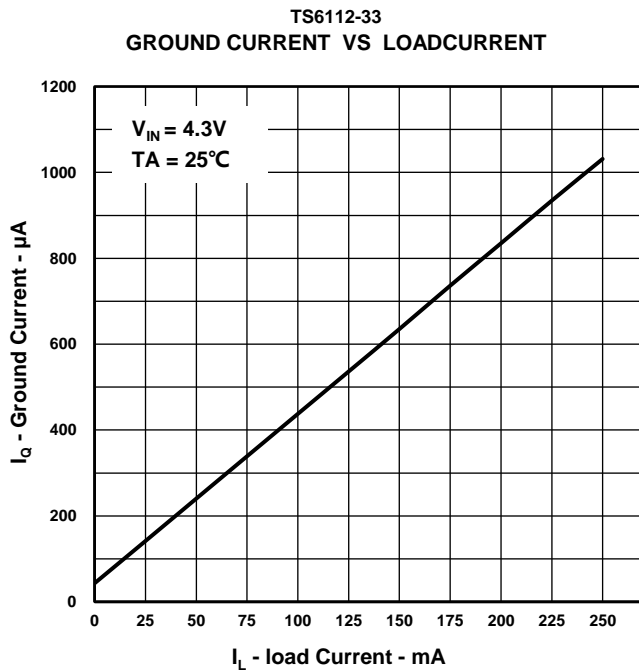


Figure4

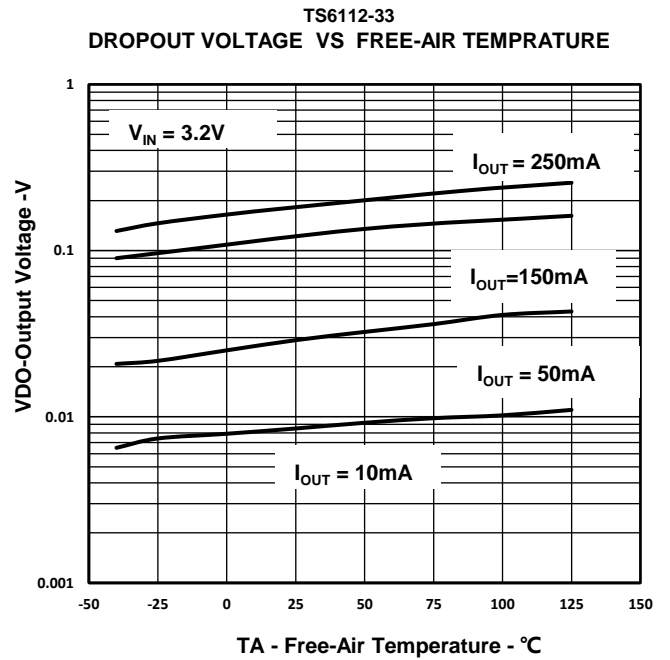


Figure5

TYPICAL CHARACTERISTICS

POWER SUPPLY RIPPLE REJECTION VS FREQUENCY

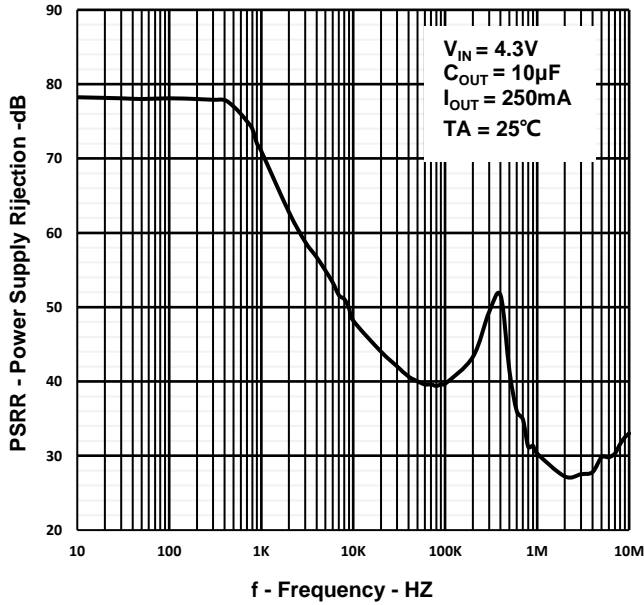


Figure6

TS6112-33
GROUND CURRENT VS FREE-AIR TEMPEARTURE

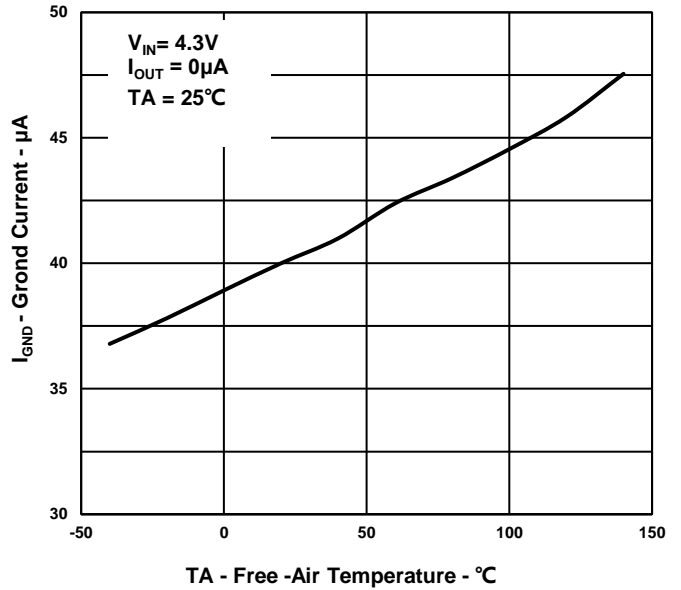


Figure7

TS6112-33
LINE TRANSIENT RESPONSE

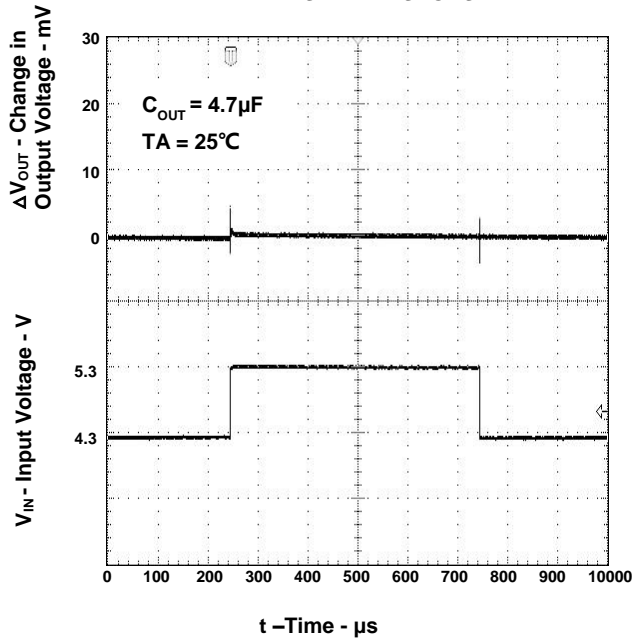


Figure8

TS6112-33
LOAD TRANSIENT RESPONSE

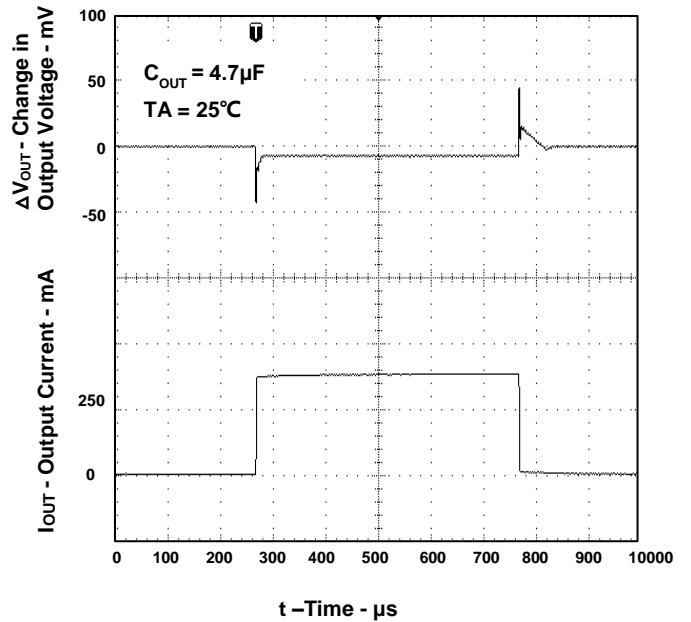


Figure9

TYPICAL CHARACTERISTICS

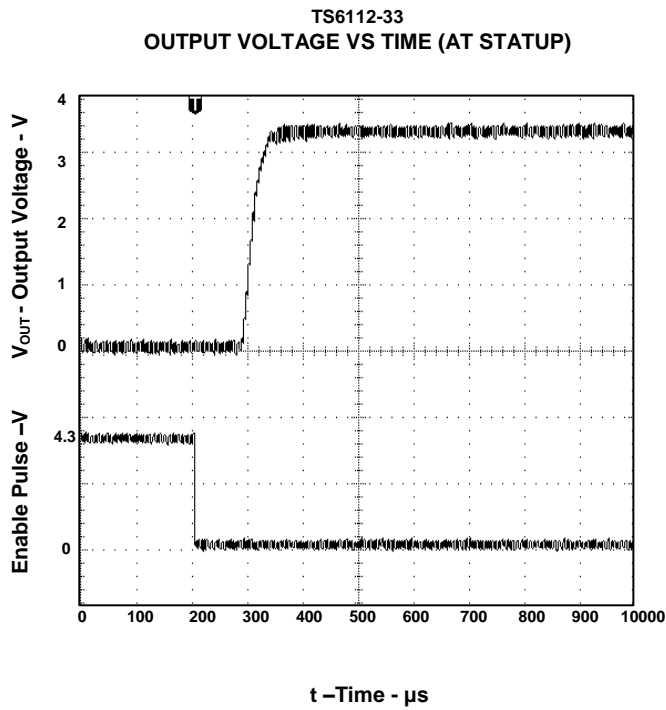


Figure10

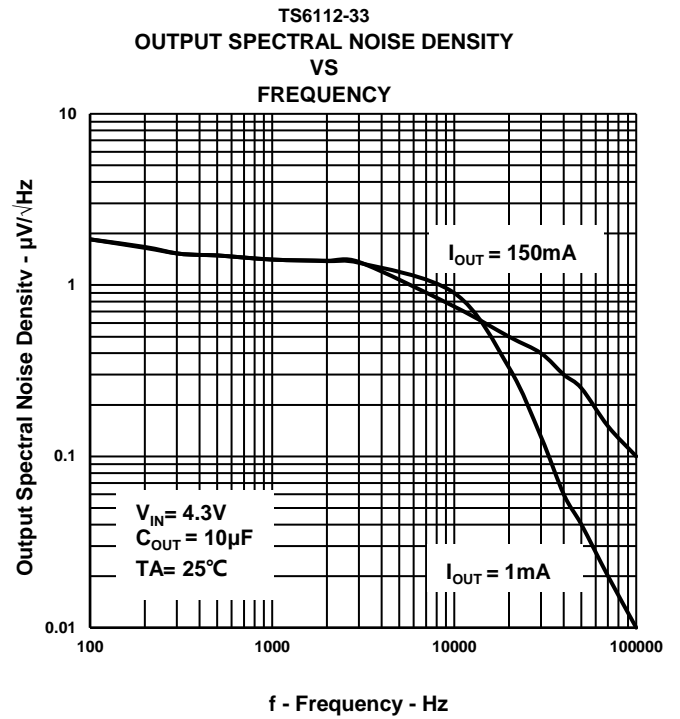


Figure11

APPLICATION INFORMATION

The TS6112-XX family includes eight fixed-output voltage regulators (1.5 V, 1.8 V, 2.5 V, 2.7 V, 2.8 V, 3.0 V, 3.3 V, and 5.0 V), and an adjustable regulator, the TS6112-01 (adjustable from 1.25 V to 5.5 V). A typical application circuit for fixed-output versions is shown in Figure 12.

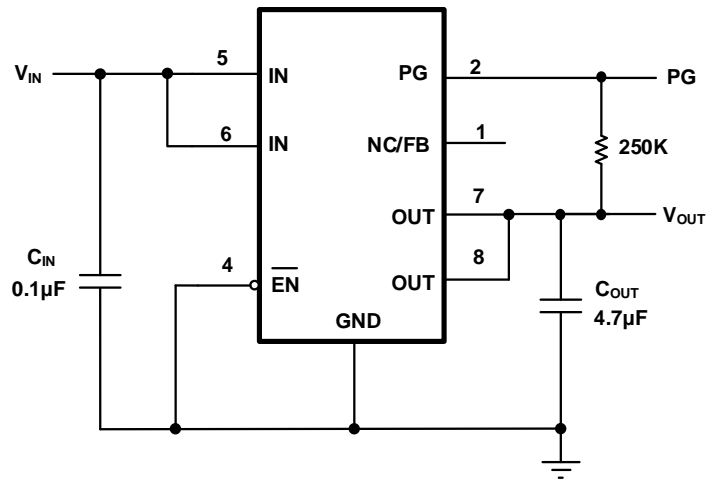


Figure12. Typical Application Circuit (Fixed Version)

Device Operation

The TS6112-xx features very low quiescent current at light load (typically 36µA at 10µA load), however, it is designed to be dependent of output loading (approximately 1/250 of the output current at heavy load), in order to provide much improved transient response over competitions. This dependency hardly has any effect on the operation efficiency at light or heavy load. When load current approaches the maximum output current (250mA), the ground pin current will only be approximately 1 mA, which is independent of the supply voltage.

Unlike a linear regulator with a PNP-pass device, which tends to saturate when the regulator goes into dropout resulting in an increase in quiescent current even at light load or no load, TS6112-xx uses PMOS transistor as the pass device and a proprietary circuit technique to prevent quiescent current from going up when regulator is in dropout condition. In battery-powered systems, it means longer lasting battery even when the voltage decays below the minimum required for regulation.

The TS6112-xx family also features a shutdown mode that places the output in the high-impedance state (essentially equal to the feedback-divider resistance) and reduces quiescent current to 1µA (typ). If the shutdown feature is not used, $\overline{\text{EN}}$ should be tied to ground. Response to an enable transition is quick; regulated output voltage is reestablished in typically 160µs.

Minimum Load Requirements

The TS6112-xx family is stable even at zero load; no minimum load is required for operation.

FB - Pin Connection (Adjustable Version Only)

The FB pin is an input terminal to sense the output voltage and close the loop for the adjustable option. The output voltage is sensed through a resistor divider network to close the loop as it is shown in Figure 13. Normally, this connection should be as short as possible; however, the connection can be made near a critical circuit to improve performance at that point. Internally, FB connects to a high-impedance wide-bandwidth amplifier and noise pickup feeds through to the regulator output. Routing the FB connection to minimize/avoid noise pickup is essential.

APPLICATION INFORMATION

External Capacitor Requirements

The input capacitor is not required usually, however, a ceramic bypass capacitor (0.047µF or greater) improves load transient performance and overall loop stability. A higher capacitance capacitor may be necessary if large load transients with fast rise times are anticipated.

The TS6112-XX requires an output capacitor to stabilize the feedback loop, however, the often seen minimum ESR (the equivalent series resistance) requirement for the output capacitor is not applicable. Instead, the ESR should be limited to under 1Ω for the benefit of stability under large load current. The capacitance of the output capacitor should be greater than 0.47µF, though the recommended capacitance for this capacitor is 4.7µF or larger. Due to the characteristics of low ESR even at low temperatures, ceramic, solid tantalum and solid aluminum electrolytic capacitors are all suitable for TS6112-xx series regulators. When non-solid electrolytic capacitors are used, especially for low temperature applications, it is strongly recommended that a ceramic capacitor with values greater than 0.47µF be connected in parallel.

Programming the TS6112-01 Adjustable LDO Regulator

The output voltage of the TS6112-01 adjustable regulator is programmed using an external resistor divider as shown in Figure 13. The output voltage is calculated using:

$$V_{OUT} = V_{ref} \times \left(1 + \frac{R1}{R2}\right)$$

Where

$$V_{ref} = 1.219 \text{ V (the typical internal reference voltage)}$$

Resistors R1 and R2 should be chosen for approximately 7µA divider current. Lower value resistors can be used but offer no inherent advantage and waste more power. Higher resistor values should be avoided as leakage currents at FB pin increase the output voltage error. The recommended design procedure is, for example, to choose R2 = 169 KΩ to set the divider current at 7µA and then calculate R1 using:

$$R1 = \left(\frac{V_{OUT}}{V_{ref}} - 1\right) \times R2$$

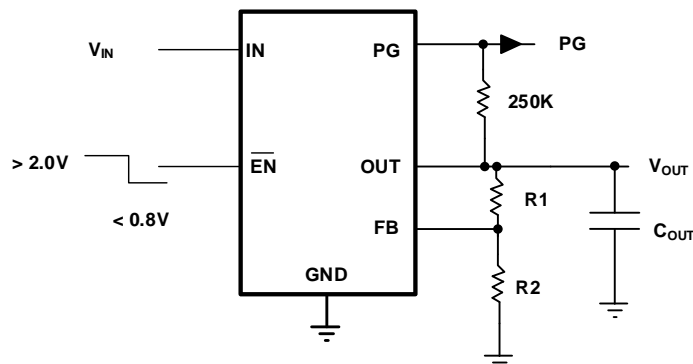


Figure 13. TS6112-01 Adjustable LDO Regulator Programming

APPLICATION INFORMATION

Power-Good Indicator

The TS6112-xx features a power-good (PG) output that can be used to monitor the status of the regulator. Internal comparator monitors the output voltage: when the output drops to between 92% and 98% of its nominal regulated value, the PG output transistor turns on, taking the signal low. The open-drain output requires a pullup resistor, it can be left floating if not used. PG can be used to drive power-on reset circuitry or used as a low-battery indicator.

Regulator Protection

The TS6112-xx PMOS-pass transistor has a built-in back diode that conducts reverse currents when the input Voltage drops below the output voltage (e.g., during power down). Current is conducted from the output to the Input and is not internally limited. When extended reverse voltage is anticipated, external limiting may be appropriate.

The TS6112-xx also features internal current limiting and thermal protection. During normal operation, the TS6112-xx limits output current to approximately 0.78A (typ). When current limiting engages, the output voltage scales back linearly until the overcurrent condition ends. While current limiting is designed to prevent gross device failure, care should be taken not to exceed the power dissipation ratings of the package. If the temperature of the device exceeds +150°C (typ), thermal-protection circuitry shuts it down. Once the device has cooled below +130°C (typ), regulator operation resumes.

Power Dissipation and Junction Temperature

Specified regulator operation is assured to a junction temperature up to +125°C; the maximum junction temperature should be restricted to +125°C under normal operating conditions. This restriction limits the power dissipation the regulator can handle in any given application. To ensure that the junction temperature is within acceptable limits, calculate the maximum allowable dissipation, $P_{D(max)}$, and the actual dissipation, P_D , which must be less than or equal to $P_{D(max)}$.

The maximum-power-dissipation limit is determined using the following equation:

$$P_{D(max)} = \frac{T_{Jmax} - T_A}{R_{\theta JA}}$$

Where:

T_{Jmax} is the maximum allowable junction temperature.

$R_{\theta JA}$ is the thermal resistance junction-to-ambient for the package, i.e., 176°C/W for the SO-8 package.

T_A is the ambient temperature.

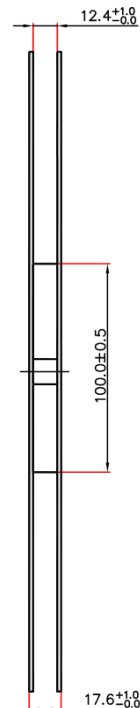
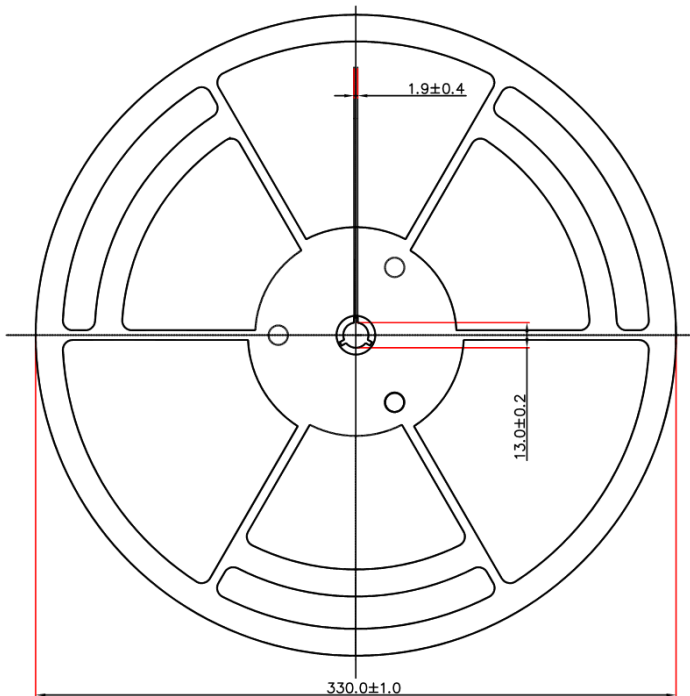
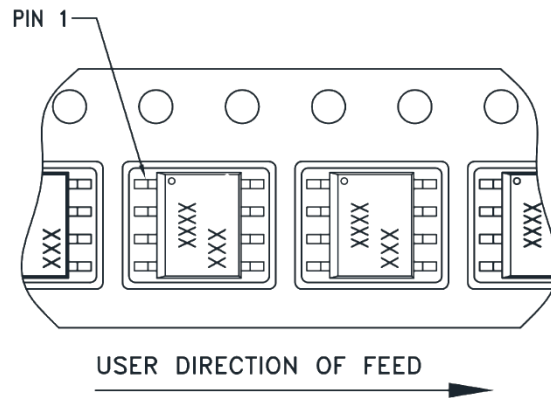
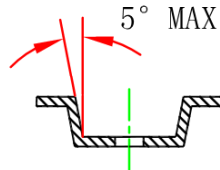
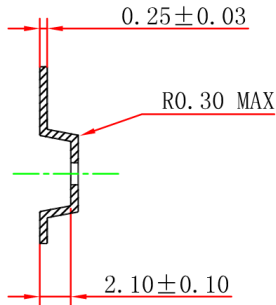
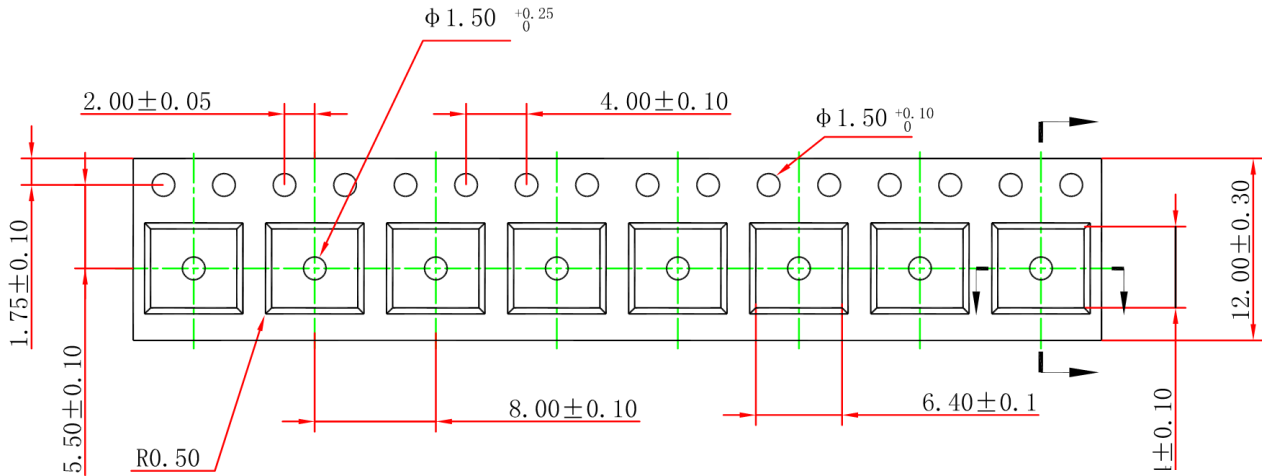
The regulator dissipation is calculated using:

$$P_{D(max)} = (V_{IN} - V_{OUT}) \times I_{OUT}$$

Power dissipation resulting from quiescent current is negligible. Excessive power dissipation will trigger the thermal protection circuit.

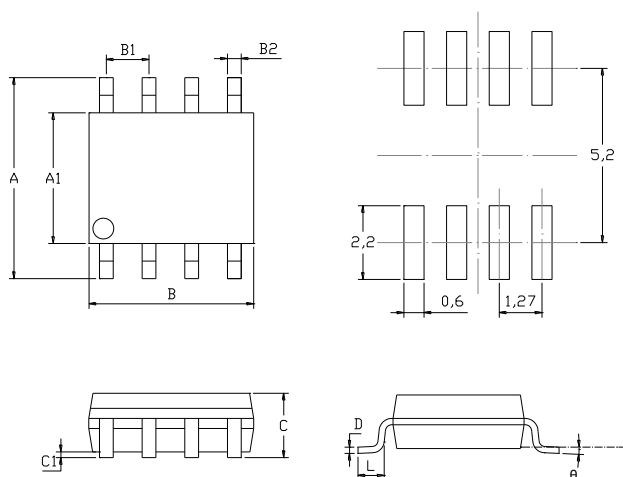
TAPE AND REEL INFORMATION

SO-8



MECHANICAL DIMENSIONS

SO-8 PACKAGE MECHANICAL DRAWING



SO-8 PACKAGE MECHANICAL DATA

symbol	dimensions			
	millimeters		inches	
	min	max	min	max
A	5.8	6.2	0.2283	0.2441
A1	3.8	4	0.1496	0.1575
B	4.8	5	0.1890	0.1969
B1	1.27		0.0500	
B2	0.31	0.51	0.0122	0.0201
C		1.75MAX		0.0689MAX
C1	0.1	0.25	0.0039	0.0098
L	0.4	1.27	0.0157	0.0500
D	0.13	0.25	0.0051	0.0098
θ	0°	8°	0°	8°

CONTACT INFORMATION

Trusignal Microelectronics

Phone: +86 512-65923982

Fax: +86 512-65923995

Email: support@kunyuanic.com; sales@kunyuanic.com