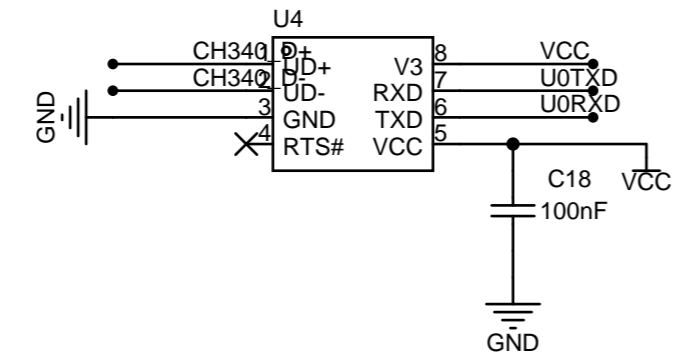
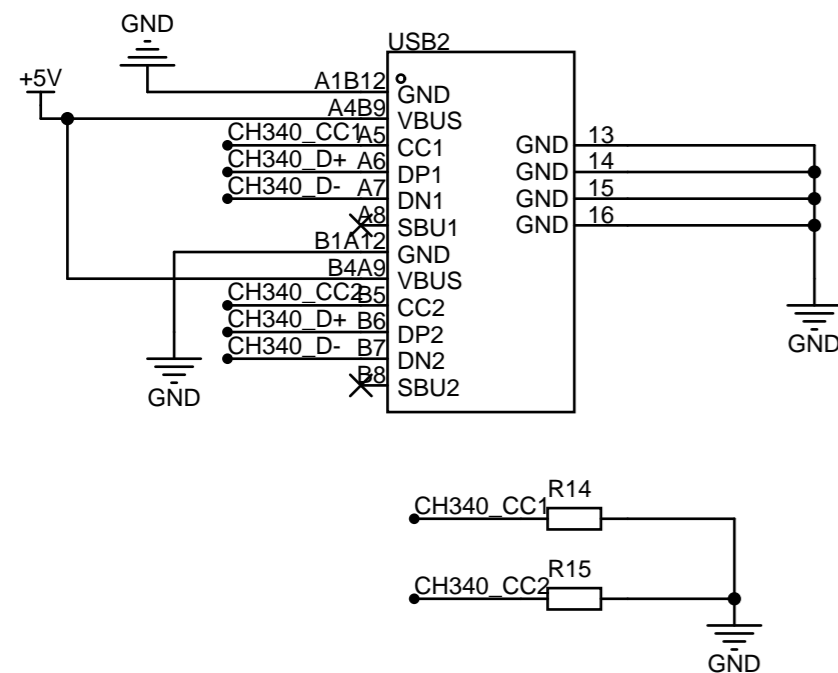
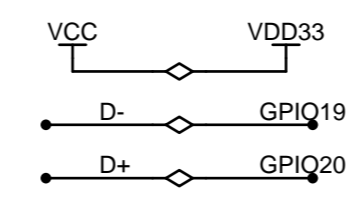
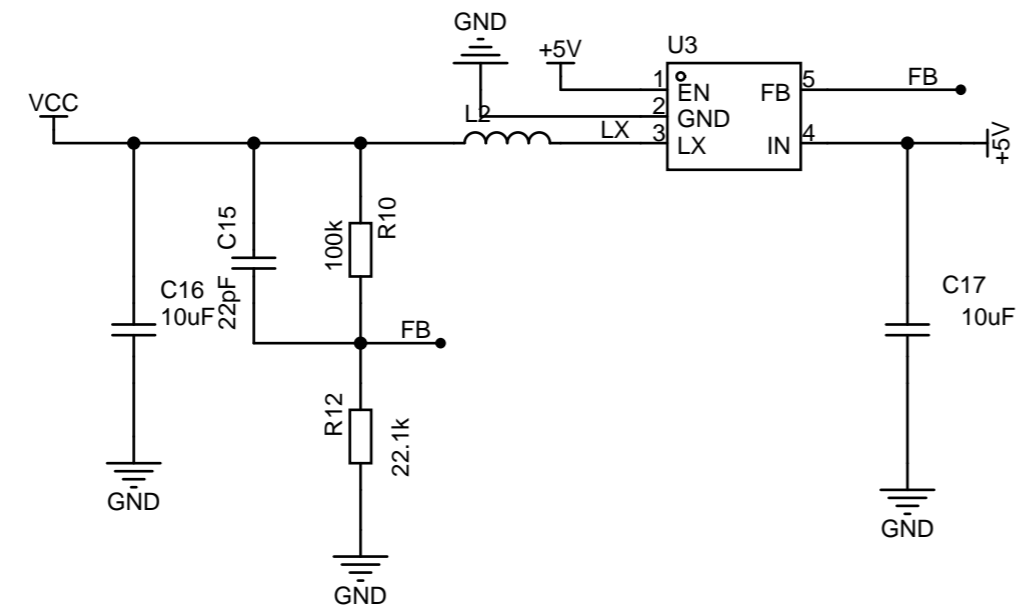
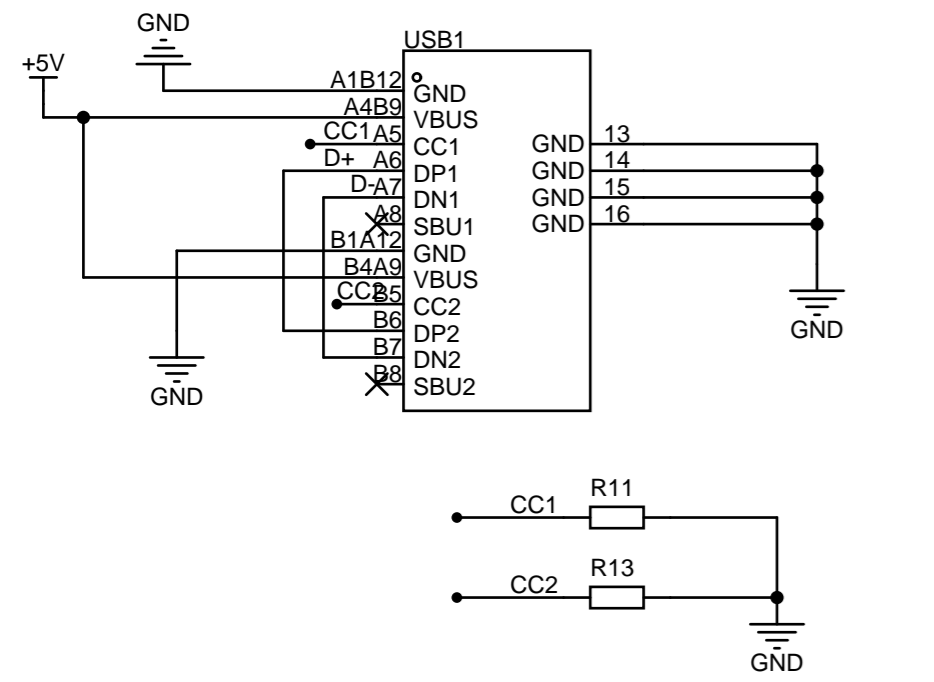
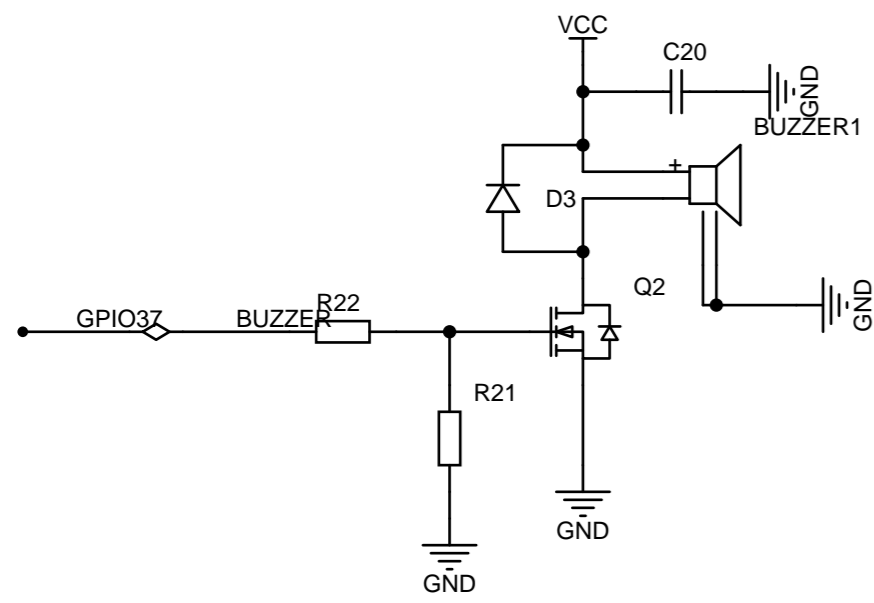


Schematic	Schematic1	Update Date	2022-09-17
		Create Date	2022-08-30
Page	CORE	Part Number	
Drawn			
Reviewed	#第七届立创电赛#ESP32-S3-PIE 基于ESP32-S3的卡片随身终端1		
	VER	SIZE	PAGE 1 OF 3
嘉立创EDA		嘉立创EDA	



Schematic	Schematic1	Update Date	2022-09-17
		Create Date	2022-08-31
Page	POWER	Part Number	
Drawn			
Reviewed	#第七届立创电赛#ESP32-S3-PIE 基于ESP32-S3的卡片随身终端1		
	VER	SIZE	PAGE 2 OF 3
嘉立创EDA		嘉立创EDA	



Schematic	Schematic1		Update Date	2022-09-17
			Create Date	2022-08-31
Page	LCD		Part Number	
Drawn				
Reviewed	#第七届立创电赛#ESP32-S3-PIE 基于ESP32-S3的卡片随身终端1			
		VER	SIZE	PAGE 3 OF 3
				嘉立创EDA