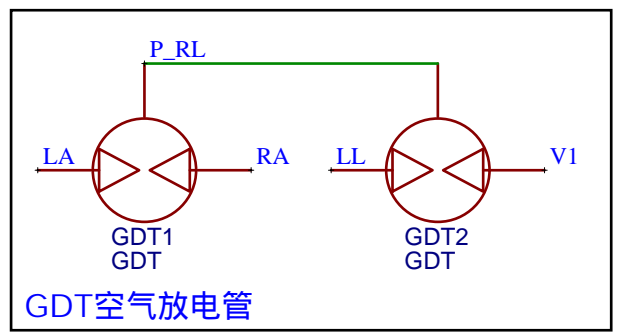


HDMI接口可扩展至12导联

RC滤波组件选择性安装  
R=1K C=4.7nF

呼吸电路 & 屏蔽驱动



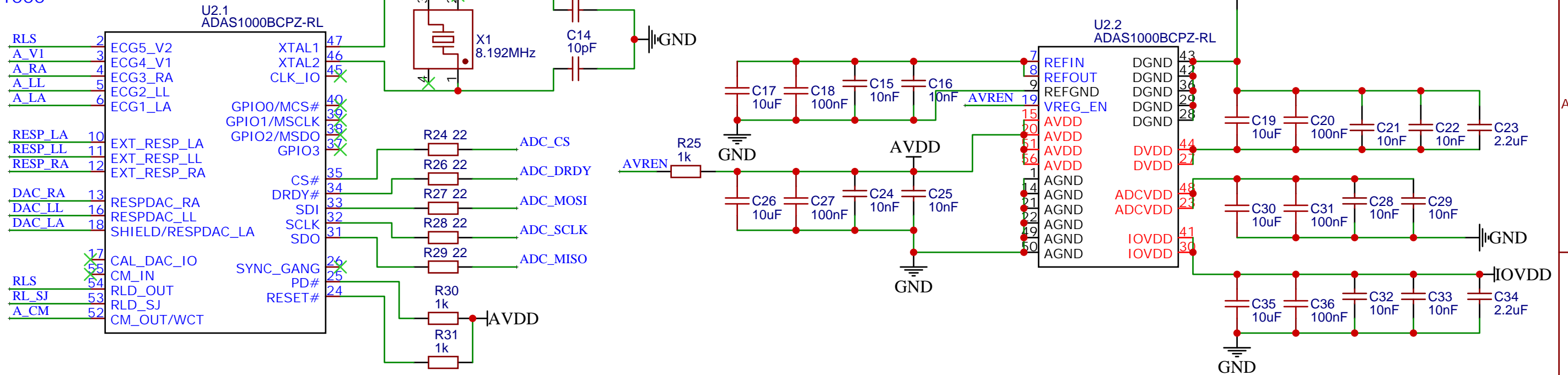
GDT空气放电管

RL驱动电路

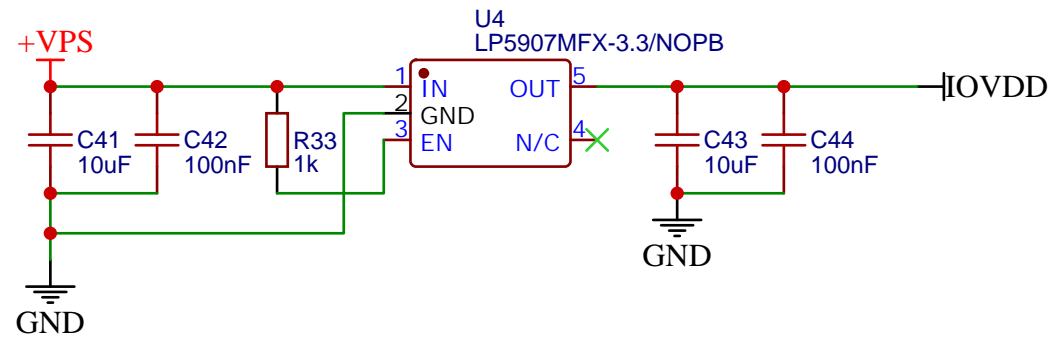
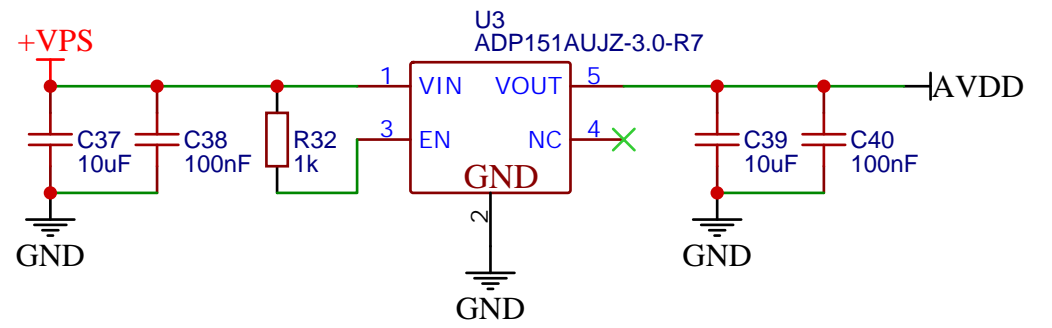
拓展接口 422+IIC

TITLE: Analog		REV: 5B
嘉立创EDA	Company: None	Sheet: 1/5
	Date: 2022-08-10	Drawn By: limitarea

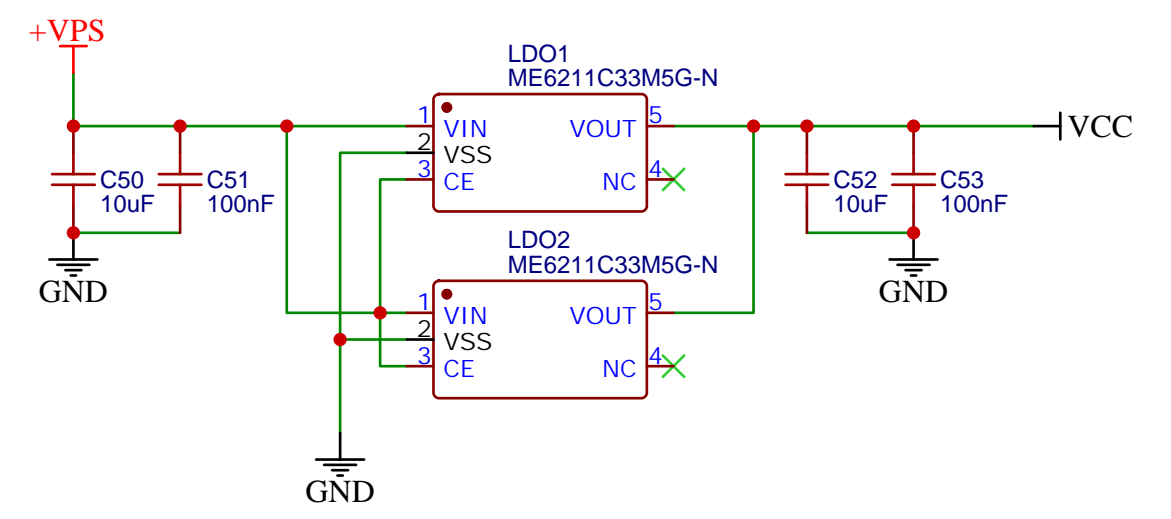
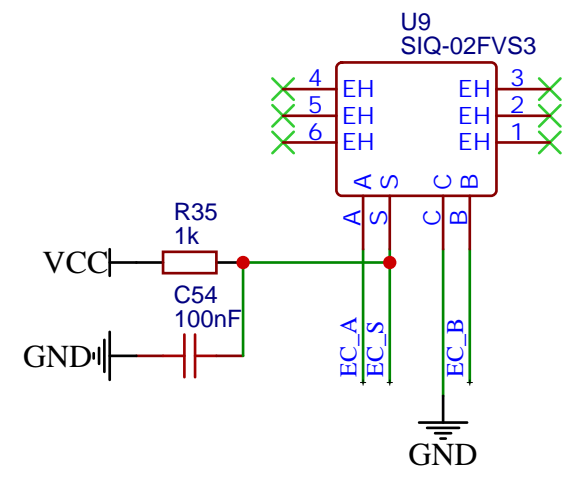
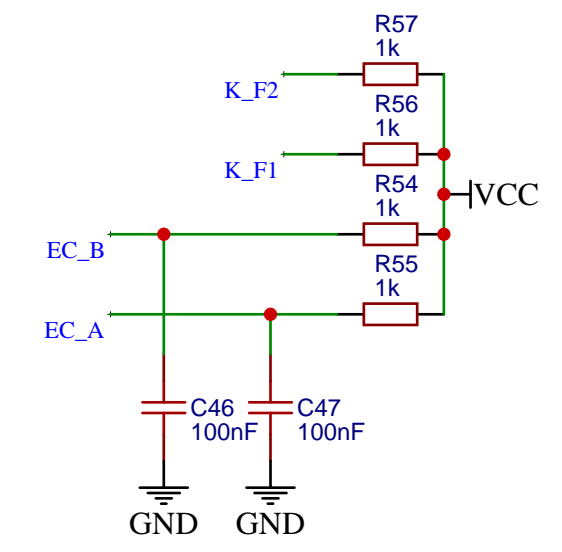
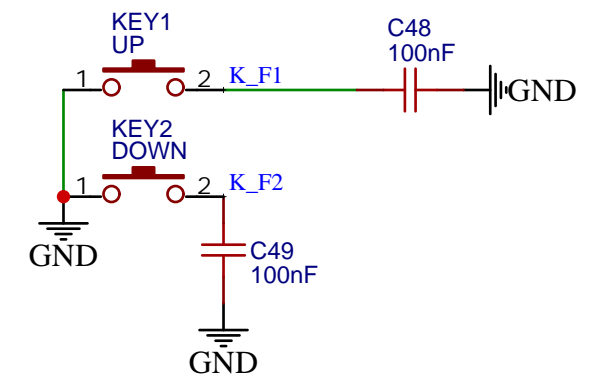
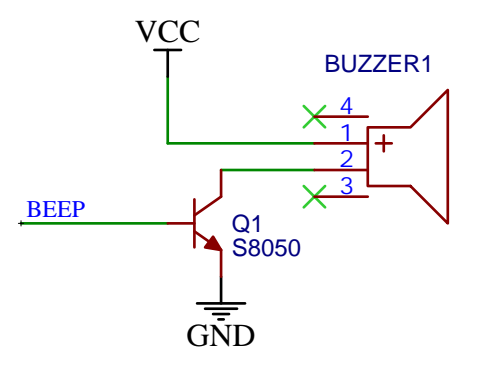
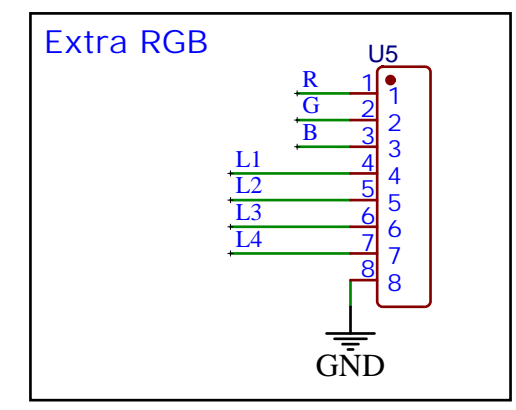
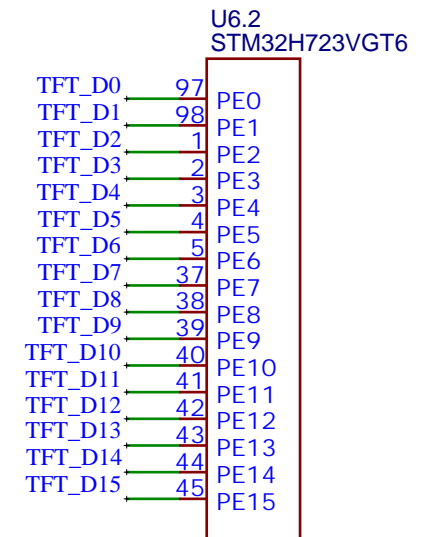
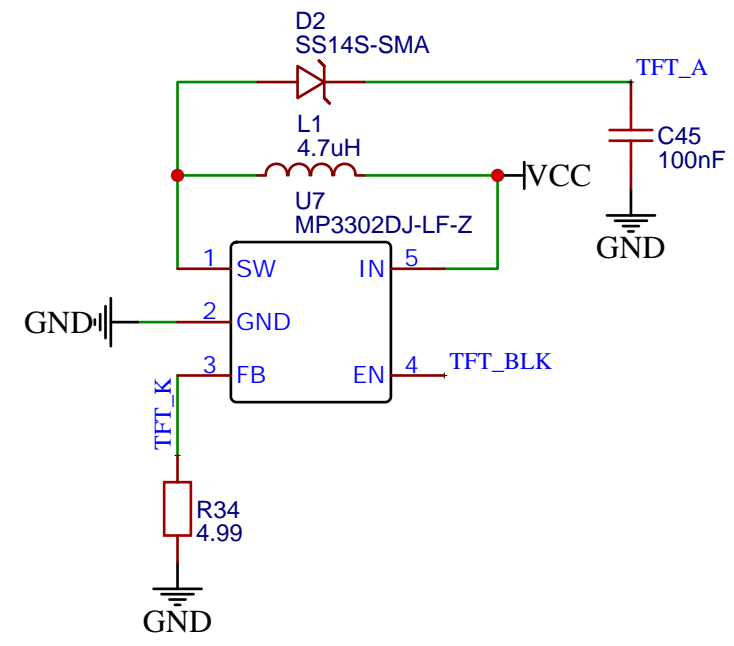
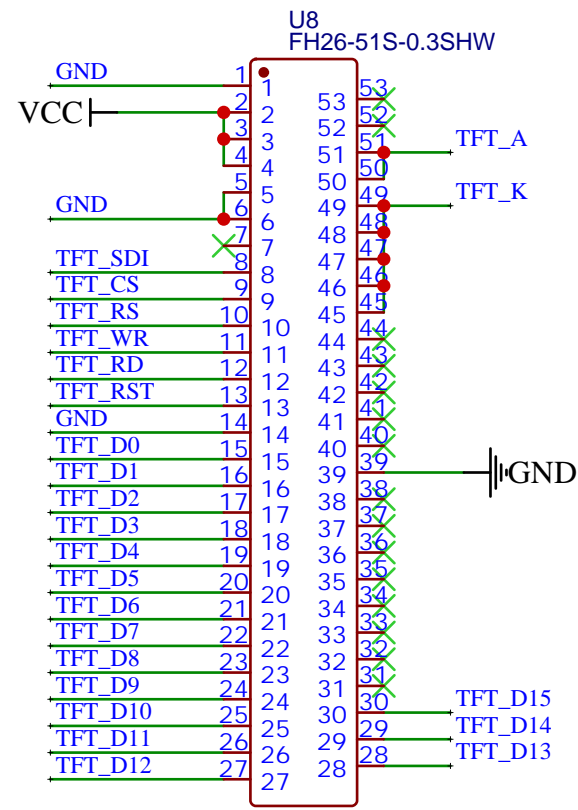
# ADAS1000



## 模拟电路LDO



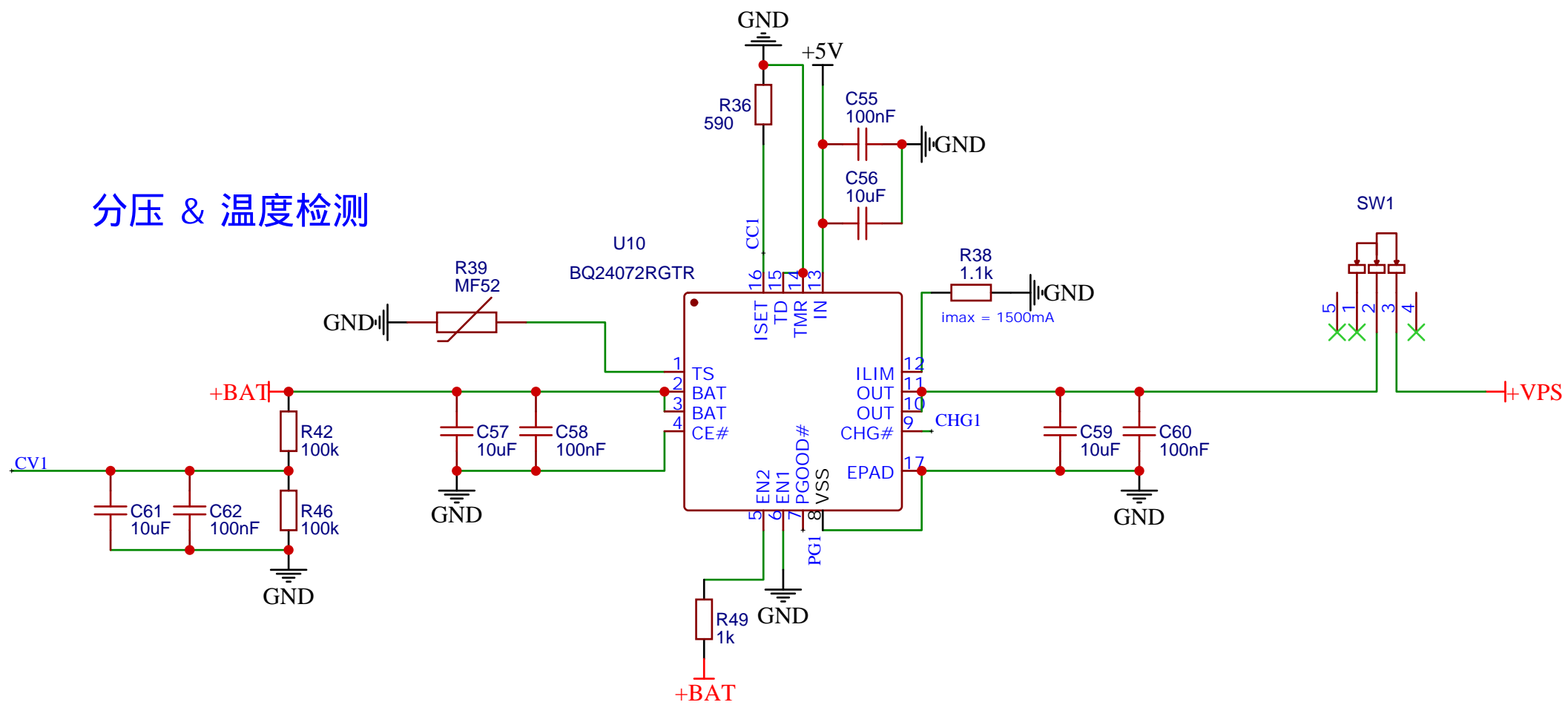
TITLE: ADAS1000		REV: 5B
嘉立创EDA	Company: None	Sheet: 2/5
	Date: 2022-08-12	Drawn By: limitarea



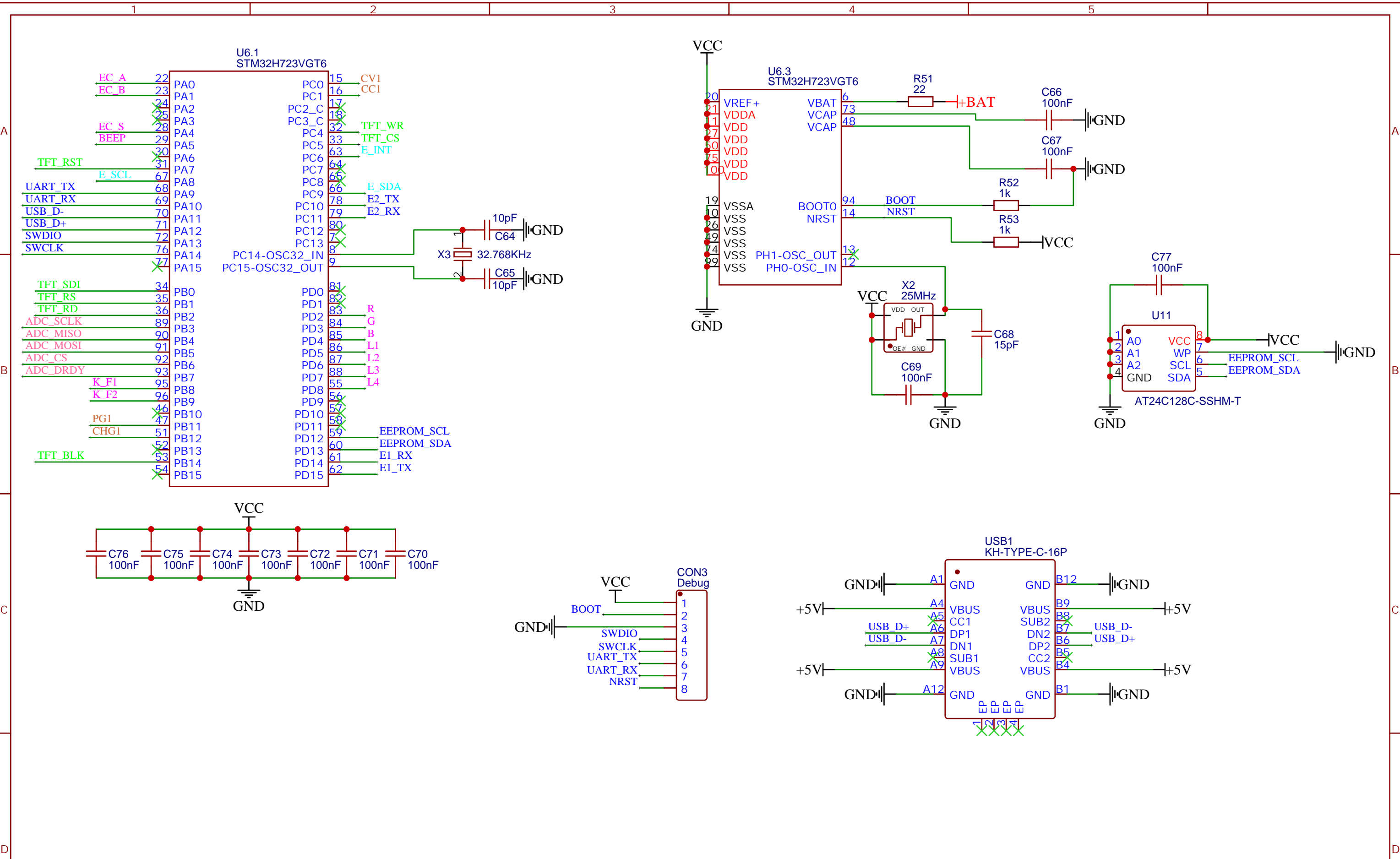
TITLE: Peripheral		REV: 5B
嘉立创EDA	Company: None	Sheet: 3/5
	Date: 2022-08-12	Drawn By: limitarea


### 分压 & 温度检测

Iset = 1.5A



TITLE: Power		REV: 5B
嘉立创EDA	Company: None	Sheet: 4/5
	Date: 2022-08-12	Drawn By: limitarea



TITLE:	Core	REV:	5B	
	Company:	None	Sheet:	5/5
	Date:	2022-08-13	Drawn By:	limitarea